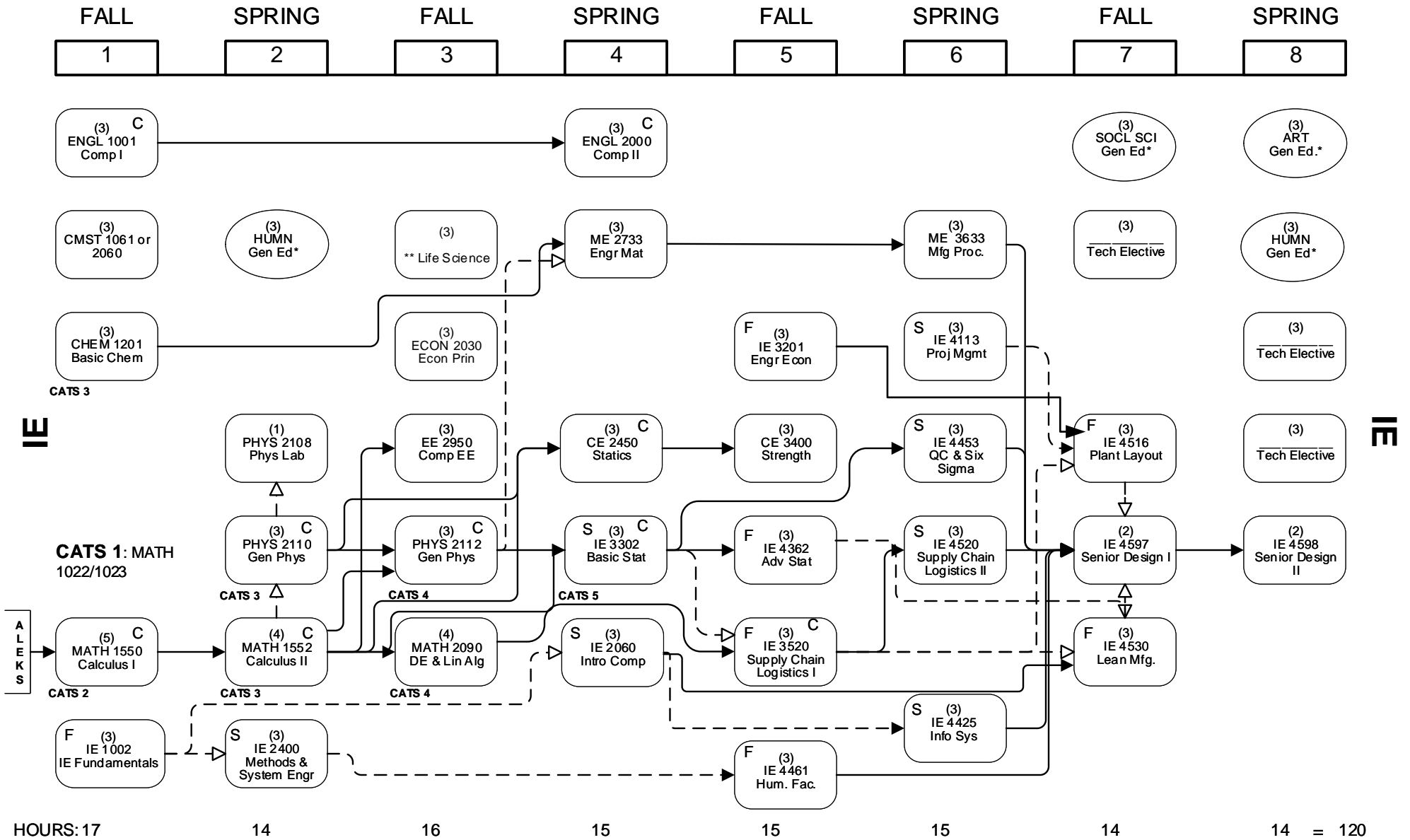


INDUSTRIAL ENGINEERING



FLOWCHART LEGEND		Office: 3261C Patrick F Taylor Hall http://www.lsu.edu/eng/mie/	
	Credit required	F	Course taught in fall only
	Credit or registration required	S	Course taught in spring only
C	Grade of "C" or better required BEFORE moving on to one or more following courses	CATS #	Critical Semester Requirements
Gen Ed	General Education - See 2018-2019 General Catalog	* IE students must also meet the GLOBAL KNOWLEDGE requirement. See the requirements sheet at http://www.lsu.edu/eng/mie/ . Rev. 2/26/2020	
<p>IE Electives must be from approved electives list, available in the IE office or on the IE website http://www.lsu.edu/eng/mie/</p> <p>**IE4597/4598 may only be taken in the last two graduating semesters. Up to two of the four pre-requisites for IE4597 (IE 4425, 4453, 4461, & 4520) may be taken as co-requisites with IE4597.</p> <p>** Approved Natural Science – BIOL 1001/1201, BIOL 1011, ENVS 1126, HORT 2050, AGRI 1005, AGRO 1001, HNRS 1007, HNRS 1035, OCS 2050, RNR 1001, or WGS 1001.</p>			